

WLT-SW-1T2G Gigabit T1 Switch



WLT-SW-1T2G Gigabit T1 Switch is a 1000Base-T1 device with Gigabit switch function, designed to meet the Gigabit coaxial home entry and multi-service access needs of broadcasting and television operators. It is a network transmission product. This product is based on mature, stable, and cost-effective gigabit switching technology, integrating gigabit coaxial conversion technology and coaxial feed transmission technology. It has the characteristics of high bandwidth, high reliability, flexible application, and convenient management.

WLT-SW-1T2G Gigabit T1 switch not only integrates the new 1000Base-T1 coaxial transmission technology, and also has the high-speed conversion capability between gigabit electrical ports and gigabit coaxial. While as a Gigabit Ethernet switch, it integrates advanced high-speed Ethernet PHY technology and high-performance RISC-V processor, and can also provide high-speed data exchange and lightweight remote management capabilities.

As a network transmission device, this product is flexible in use, which can be used either at the office end or at the terminal. It provides multiple gigabit network electrical ports and gigabit T1 coaxial interfaces to meet the needs of multiple services after entering the home.

WLT-SW-1T2G can solve the problems such as the inability of optical fiber to enter the home or the difficulty of construction. It can realize gigabit broadband access based on coaxial cable, and effectively improve the two-way access rate of the whole network. The cable TV coaxial cable that has been laid and widely distributed between the residential corridor and the indoor, as well as between the indoor rooms, can be used to build high-speed data and IPTV and other multi service access networks.

Product Features

- ◇ Support 1000Mbps transmission rate and rich Layer 2 switching features.
- ◇ Provide one 1000Base-T1 gigabit coaxial port.
- ◇ Provide two 100/1000M adaptive Ethernet ports.
- ◇ Provide 2K L2 MAC table items and support full duplex working mode.
- ◇ Support port based VLAN and IEEE802.1q based VLAN, and support port mirroring.
- ◇ Support TRUNK function and broadcast / multicast / unknown DA storm control.
- ◇ Support port isolation, loop protection and Qos functions.
- ◇ Support light network management and cloud network management.

Product Specifications

Item	Parameter	Specification
Interface	LAN interface	2* RJ45 ports, support cross direct connection self-adaptation
		10/100/1000M Base-T self-adaptive, full duplex/half duplex
	T1 interface	1 gigabit coaxial F-type port (Metric/ Imperial optional)
		Support 1000Base-T1 gigabit network coaxial transmission
		Master-slave mode adaptation, support bidirectional coaxial feeding
	Power interface	External +12VDC power adapter
DC005 DC power socket 5.5 * 2.1mm		
Performance Specifications	Network Standards	IEEE 802.3u、IEEE 802.3ab、IEEE 802.3x、IEEE802.3bp
	Switching	Support 2K MAC address table
	Performance	Support IEEE802.1q based VLAN with 4096 items
Device Management	Methods	Support WEB/CLI management
	Functions	Provide basic management functions (such as QoS, VLAN, port mirroring, etc.)
Physical Characteristics	Shell	ABS engineering plastics shell
	Power supply and consumption	Input power voltage range: DC10V~14V
		Consumption: <3W
	Dimension and weight	Dimension: 136mm (L) ×102mm (W) ×34mm (H)
		Weight: 0.30kg (Excluding power adapter)
	Environmental parameters	Working temperature: -10 ~ 55℃
		Storage temperature: -40 ~ 70℃
		Working humidity: 10% ~ 90% non-condensation
Storage humidity: 5% ~ 95% non-condensation		

Interface Functions Description



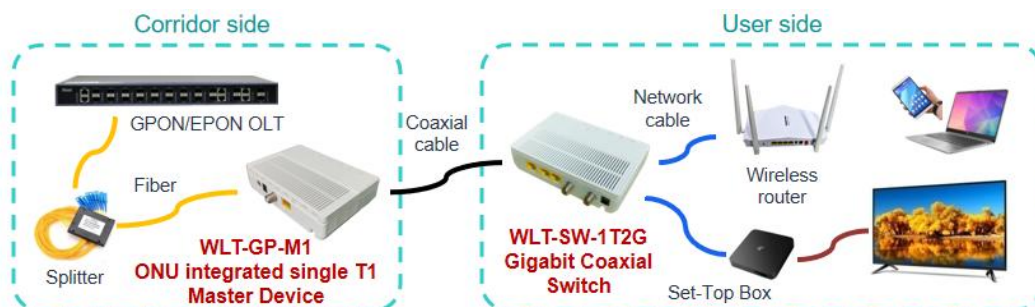
RST	Reset button (built-in)
LAN1~LAN2	Gigabit Ethernet LAN port
T1-1	T1 coaxial F-type port
DC/12V	DC 12V power input port (connected to power adapter)
LAN3 & T1-2	Reserved

Indicator Lights Description



Identification	Status	Definition
PWR	ON	POWER ON
	OFF	POWER OFF
RUN	ON	System startup and operation
	OFF	System not running
T1-1	ON	Gigabit coaxial interface connected
	Slow Flashing	Gigabit coaxial data transmission
	OFF	Gigabit coaxial unused
T1-2		Reserved
LAN1 - LAN2	ON	Ethernet interface is connected
	Flashing	Ethernet data is transmission
	OFF	Ethernet interface is not in use
LAN3		Reserved

Application Scenarios



◆ Note: Please use the power adapter provided by our factory to ensure the related parameters match the device.